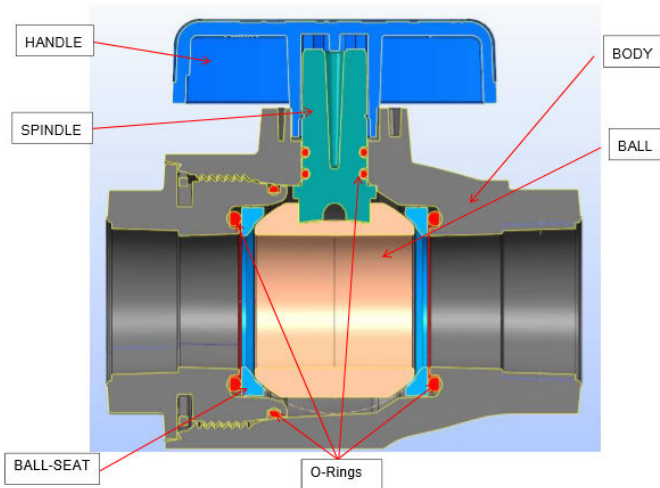


# Ball Valve for Water Applications

## Extended range!

**Double seal on spindle to prevent leakage**

Plasson Ball Valve Parts and Materials



Body and Spindle – PA-GR  
 Ball – PP-GR  
 Ball-Seat – LLDPE  
 Handle – PP-GR  
 O-Rings – EPDM

Plasson's Ball Valve is produced entirely of plastic, eliminating the risk of corrosive damage to the system.

Plasson's Ball Valve features an option for two drain ports or no drain ports.

Ideally suited for draining or sampling of potable water systems and monitoring system pressure, Plasson's valves allow simple and direct connections to hoses without tampering with the system line.

### Key Features

- ✓ Chemical resistant O-Ring
- ✓ Double seal on spindle to prevent leakage
- ✓ Full Bore
- ✓ Removable handle
- ✓ AS5830 compliant
- ✓ PN16
- ✓ BSP threaded
- ✓ Optional drain port
- ✓ Suitable for potable water
- ✓ 1 1/2" and 2" sizes supplied with longer handle to improve ease of operation under pressure
- ✓ Locking mechanism available

### Materials of construction

- ✓ Body and Spindle – PA-GR
- ✓ Ball – PP-GR
- ✓ Ball-Seat – LLDPE
- ✓ Handle – PP-GR
- ✓ O-Rings – EPDM (chemical resistant)

VALVE WITHOUT DRAIN PORT			
SIZE	BAG QTY	PN WATER	CODE
1.2"	1	16	3703018
3/4"	1	16	3703006
1"	1	16	3703007
1.1/4"	1	16	3703008
1.1/2"	1	16	3703009
2"	1	16	3703010

VALVE WITHOUT DRAIN PORT C/W LOCKING HANDLE			
SIZE	BAG QTY	PN WATER	CODE
2"	1	16	3703013

VALVE WITH DRAIN PORT			
SIZE	BAG QTY	PN WATER	CODE
1/2"	1	16	3703021
3/4"	1	16	3703001
1"	1	16	3703002
1.1/4"	1	16	3703003
1.1/2"	1	16	3703004
2"	1	16	3703005

LILAC HANDLE TO SUIT BALL VALVE		
SIZE	BAG QTY	CODE
Suit 1" + 1.1/4" Ball Valve	1	3703019*
Suit 1.1/2" Ball Valve	1	3703020*
Suit 2" Ball Valve	1	3703016

\* Available on request.



Pressure gauge for monitoring the pressure in the system



Service valve for sampling or drainage

Plasson's Ball Valve is easy to use, tamper proof as well as safe and reliable

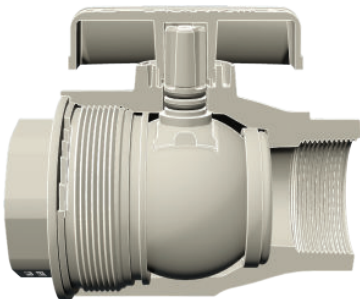


Removable tamper resistant handle

Easily identifiable drain port option:  
 • Blue dot - no drain port  
 • Black plug - optional drain port



Locked and sealed body parts ensure system integrity



Double seal on spindle to prevent leakage



Two drain port option

**Operating pressure:**

Plasson's Ball Valve is rated PN16

**Standards:**

Plasson's Ball Valve is tested according to AS 5830, and to the standards AS 4020 and NSF 61 for use with potable water.

The threads are Rc (BSPT) according to ISO 7-1 or NPT.

